
APPENDIX B
FACILITIES INCLUDED IN THIS REVIEW

The New York State Bulk Power Transmission Facilities

<u>Facility Identifier</u>	<u>Terminal A</u>	<u>Nominal Voltage</u>	<u>Terminal B</u>	<u>Nominal Voltage</u>
MSC-7040	CHATEAUGUAY	765	MASSENA	765
MSU1	MASSENA	765	MARCY	765
BK 1	MARCY	765	MARCY	345
BK 2	MARCY	765	MARCY	345
BK 1	MASSENA	765	MASSENA A	230
BK 2	MASSENA	765	MASSENA B	230
5018	BRANCBURG	500	RAMAPO	500
BK 1500	RAMAPO	500	RAMAPO S.	345
393	ALPS	345	BERKSHIRE	345
91	ATHENS	345	PLEASANT VALLEY	345
PA301	BECK A	345	NIAGARA	345
PA302	BECK B	345	NIAGARA	345
67-1	BOWLINE 1	345	W.HAVERSTRAW	345
W93	BUCHANAN N.	345	EASTVIEW 2N	345
BK TA5	BUCHANAN N.	345	BUCHANAN TA5	138
W97	BUCHANAN S.	345	MILLWOOD	345
W98	BUCHANAN S.	345	MILLWOOD	345
13	CLAY	345	DEWITT	345
1-16	CLAY	345	EDIC	345
2-15	CLAY	345	EDIC	345
CRT-34	COOPERS CRNS	345	MIDDLETOWN TAP	345
CCRT-42	COOPERS CRNS	345	ROCK TAVERN	345
22	DEWITT	345	LAFAYETTE	345
71	DUNWOODIE	345	RAINEY	345
72	DUNWOODIE	345	RAINEY	345
Y50	DUNWOODIE	345	SHORE RD	345
BK N1	DUNWOODIE	345	DUNWOODIE N1	138
BK S1	DUNWOODIE	345	DUNWOODIE S1	138
45	E.13TH ST A	345	FARRAGUT	345
BK 14	E.13TH ST A	345	E.13TH ST	138
BK 15	E.13TH ST A	345	E.13TH ST	138
46	E.13TH ST B	345	FARRAGUT	345
BK 12	E.13TH ST B	345	E.13TH ST	138
BK 13	E.13TH ST B	345	E.13TH ST	138
B47	E.13TH ST C	345	FARRAGUT	345
BK 16	E.13TH ST C	345	E.13TH ST	138
48	E.13TH ST D	345	FARRAGUT	345
BK 10	E.13TH ST D	345	E.13TH ST	138
BK 11	E.13TH ST D	345	E.13TH ST	138
F38	E.FISHKILL	345	WOOD ST	345
F39	E.FISHKILL	345	WOOD ST	345
W64	EASTVIEW 1N	345	SPRAINBROOK	345
BK 1N	EASTVIEW 1N	345	EASTVIEW	138
W78	EASTVIEW 1S	345	SPRAINBROOK	345

The New York State Bulk Power Transmission Facilities

<u>Facility Identifier</u>	<u>Terminal A</u>	<u>Nominal Voltage</u>	<u>Terminal B</u>	<u>Nominal Voltage</u>
BK 1S	EASTVIEW 1S	345	EASTVIEW	138
W79	EASTVIEW 2N	345	SPRAINBROOK	345
BK 2N	EASTVIEW 2N	345	EASTVIEW	138
W65	EASTVIEW 2S	345	SPRAINBROOK	345
BK 2S	EASTVIEW 2S	345	EASTVIEW	138
EF24-40	EDIC	345	FRASER	345
14	EDIC	345	NEW SCOTLAND	345
41	FARRAGUT	345	GOWANUS N.	345
42	FARRAGUT	345	GOWANUS S.	345
B3402	FARRAGUT 1	345	FARRAGUT	345
C3403	FARRAGUT 2	345	FARRAGUT	345
FE-1	FITZPATRICK	345	EDIC	345
FS-10	FITZPATRICK	345	SCRIBA	345
33	FRASER	345	COOPERS CRNS	345
GF5-35	FRASER	345	GILBOA	345
BK 2	FRASER	345	FRASER	115
TA 1	FRESHKILLS	345	FRESHKILLS R	138
TB 1	FRESHKILLS	345	FRESHKILLS R	138
GL3	GILBOA	345	LEEDS	345
GNS-1	GILBOA	345	NEW SCOTLAND	345
22	GOETHALS N.1	345	FRESHKILLS	345
BK 1N	GOETHALS N.1	345	GOETHALS N.2	345
BK 1	GOETHALS N.2	345	GOETHALS	230
21	GOETHALS S.	345	FRESHKILLS	345
25	GOWANUS N.	345	GOETHALS N.1	345
26	GOWANUS S.	345	GOETHALS S.	345
37	HOMER CITY	345	STOLLE RD	345
30	HOMER CITY	345	WATERCURE	345
B3402	HUDSON A	345	FARRAGUT 1	345
C3403	HUDSON B	345	FARRAGUT 2	345
303	HURLEY AVE	345	ROSETON	345
26	INDEPENDENCE	345	CLAY	345
25	INDEPENDENCE	345	SCRIBA	345
SR1-39	KINTIGH	345	ROCHESTER	345
68	LADENTOWN	345	BOWLINE 2	345
Y88	LADENTOWN	345	BUCHANAN S.	345
67-2	LADENTOWN	345	W.HAVERSTRAW	345
4-36	LAFAYETTE	345	OAKDALE	345
301	LEEDS	345	HURLEY AVE	345
95	LEEDS	345	ATHENS	345
92	LEEDS	345	PLEASANT VALLEY	345
398	LONG MT	345	PLEASANT VALLEY	345
UCC2-41	MARCY	345	COOPERS CRNS	345
UE1-7	MARCY	345	EDIC	345

The New York State Bulk Power Transmission Facilities

<u>Facility Identifier</u>	<u>Terminal A</u>	<u>Nominal Voltage</u>	<u>Terminal B</u>	<u>Nominal Voltage</u>
18	MARCY	345	NEW SCOTLAND	345
CRT-34	MIDDLETOWN TAP	345	ROCK TAVERN	345
W99	MILLWOOD	345	EASTVIEW 1N	345
W85	MILLWOOD	345	EASTVIEW 1S	345
W82	MILLWOOD	345	EASTVIEW 2S	345
2	NEW SCOTLAND	345	ALPS	345
93	NEW SCOTLAND	345	LEEDS	345
94	NEW SCOTLAND	345	LEEDS	345
BUS TIE	NEW SCOTLAND	345	NEW SCOTLAND	345
NS1-38	NIAGARA	345	KINTIGH	345
NR2	NIAGARA	345	ROCHESTER	345
BK 3	NIAGARA	345	NIAGARA	230
BK 4	NIAGARA	345	NIAGARA	230
BK 5	NIAGARA	345	NIAGARA	230
8	NINE MILE PT 1	345	CLAY	345
9	NINE MILE PT 1	345	SCRIBA	345
32	OAKDALE	345	FRASER	345
17	OSWEGO	345	LAFAYETTE	345
11	OSWEGO	345	VOLNEY	345
12	OSWEGO	345	VOLNEY	345
BK 7	OSWEGO	345	OSWEGO	115
1	PANNELL RD	345	CLAY	345
2	PANNELL RD	345	CLAY	345
F36	PLEASANT VLY	345	E.FISHKILL	345
F37	PLEASANT VLY	345	E.FISHKILL	345
F30	PLEASANT VLY	345	WOOD ST	345
F31	PLEASANT VLY	345	WOOD ST	345
W90	PLEASNTVL E.	345	DUNWOODIE	345
W89	PLEASNTVL W.	345	DUNWOODIE	345
Q35L	POLETTI	345	E.13TH ST C	345
Q35M	POLETTI	345	E.13TH ST D	345
61	RAINEY	345	FARRAGUT	345
62	RAINEY	345	FARRAGUT	345
63	RAINEY	345	FARRAGUT	345
BK 8W	RAINEY	345	RAINEY 1	138
BK 8E	RAINEY	345	RAINEY 2	138
Y94	RAMAPO	345	BUCHANAN N.	345
W72	RAMAPO	345	LADENTOWN	345
PAR3500	RAMAPO S.	345	RAMAPO	345
PAR4500	RAMAPO S.	345	RAMAPO	345
1	REYNOLDS RD	345	ALPS	345
RP1	ROCHESTER	345	PANNELL RD	345
RP2	ROCHESTER	345	PANNELL RD	345
77	ROCK TAVERN	345	RAMAPO	345

The New York State Bulk Power Transmission Facilities

<u>Facility Identifier</u>	<u>Terminal A</u>	<u>Nominal Voltage</u>	<u>Terminal B</u>	<u>Nominal Voltage</u>
BK TR1	ROCK TAVERN	345	ROCK TAVERN	115
305	ROSETON	345	E.FISHKIL CE	345
311	ROSETON	345	ROCK TAVERN	345
69	S.MAHWAH A	345	RAMAPO	345
70	S.MAHWAH B	345	RAMAPO	345
20	SCRIBA	345	VOLNEY	345
21	SCRIBA	345	VOLNEY	345
BK 1	SHORE RD	345	SHORE RD	138
BK 2	SHORE RD	345	SHORE RD	138
W75	SPRAIN BROOK	345	DUNWOODIE	345
Y49	SPRAIN BROOK	345	E.GARDEN CTY	345
X28	SPRAIN BROOK	345	TREMONT	345
M51	SPRAIN BROOK	345	W.49TH ST	345
M52	SPRAIN BROOK	345	W.49TH ST	345
BK 3	STOLLE RD	345	STOLLE RD	115
BK 4	STOLLE RD	345	STOLLE RD	115
6	VOLNEY	345	CLAY	345
19	VOLNEY	345	MARCY	345
M54	W.49TH ST	345	E.13TH ST A	345
M55	W.49TH ST	345	E.13TH ST B	345
BK 194	W.HAVERSTRAW	345	W.HAVERSTRAW	138
J3410	WALDWICK	345	S.MAHWAH A	345
K3411	WALDWICK	345	S.MAHWAH B	345
31	WATERCURE	345	OAKDALE	345
BK 1	WATERCURE	345	WATERCURE	230
W80	WOOD ST	345	MILLWOOD	345
W81	WOOD ST	345	MILLWOOD	345
Y87	WOOD ST	345	PLEASNTVL E.	345
Y86	WOOD ST	345	PLEASNTVL W.	345
BK 1	WOOD ST	345	WOOD ST	115
BK 2	WOOD ST	345	WOOD ST	115
11	ADIRONDACK	230	CHASE LAKE	230
12	ADIRONDACK	230	PORTER	230
PA27	BECK	230	NIAGARA	230
BP76	BECK	230	PACKARD	230
10	CHASE LAKE	230	PORTER	230
68	DUNKIRK	230	S.RIPLEY	230
70	E.TOWANDA	230	HILLSIDE	230
73	GARDENVILLE	230	DUNKIRK	230
74	GARDENVILLE	230	DUNKIRK	230
T8-12	GARDENVILLE	230	GARDENVILLE	230
66	GARDENVILLE	230	STOLLE RD	230
BK 6	GARDENVILLE	230	GARDENVILLE	115

The New York State Bulk Power Transmission Facilities

<u>Facility Identifier</u>	<u>Terminal A</u>	<u>Nominal Voltage</u>	<u>Terminal B</u>	<u>Nominal Voltage</u>
BK 7	GARDENVILLE	230	GARDENVILLE	115
69	HILLSIDE	230	WATERCURE	230
BK 3	HILLSIDE	230	HILLSIDE	115
BK 4	HILLSIDE	230	HILLSIDE	115
79	HUNTLEY	230	GARDENVILLE	230
80	HUNTLEY	230	GARDENVILLE	230
A2253	LINDEN	230	GOETHALS	230
68	MEYER	230	HILLSIDE	230
BK 4	MEYER	230	MEYER	115
MA1	MOSES	230	ADIRONDACK	230
MA2	MOSES	230	ADIRONDACK	230
MMS1	MOSES	230	MASSENA A	230
MMS2	MOSES	230	MASSENA B	230
MW1	MOSES	230	WILLIS	230
MW2	MOSES	230	WILLIS	230
N BUS TIE	NIAGARA	230	NIAGARA	230
S BUS TIE	NIAGARA	230	NIAGARA	230
61	NIAGARA	230	PACKARD	230
62	NIAGARA	230	PACKARD	230
64	NIAGARA	230	ROBINSON RD	230
BK 1	OAKDALE	230	OAKDALE	115
77	PACKARD	230	HUNTLEY	230
78	PACKARD	230	HUNTLEY	230
BK 4	PLATTSBURGH A	230	PLATTSBURGH	115
BK 1	PLATTSBURGH B	230	PLATTSBURGH	115
30	PORTER	230	ROTTERDAM	230
31	PORTER	230	ROTTERDAM	230
65	ROBINSON RD	230	STOLLE RD	230
BK 1	ROBINSON RD	230	ROBINSON RD	115
E205W	ROTTERDAM	230	BEAR SWAMP	230
69	S.RIPLEY	230	ERIE E.	230
L33P	ST.LAW L33P	230	MOSES	230
L34P	ST.LAW L34P	230	MOSES	230
PSL 33P	ST.LAW OH A	230	ST.LAW OH B	230
PSL 34P	ST.LAW OH C	230	ST.LAW OH D	230
67	STOLLE RD	230	MEYER	230
71	WATERCURE	230	OAKDALE	230
WP2	WILLIS	230	PLATTSBURGH A	230
WP1	WILLIS	230	PLATTSBURGH B	230
PAR	BARRETT 1	138	BARRETT 2	138
459	BARRETT 1	138	FREEPORT	138
864	BROOKHAVEN	138	RIVERHEAD	138
95891	BUCHANAN GT	138	BUCHANAN TA5	138
BK N1	DUNWOODIE N1	138	DUNWOODIE N3	138

The New York State Bulk Power Transmission Facilities

<u>Facility Identifier</u>	<u>Terminal A</u>	<u>Nominal Voltage</u>	<u>Terminal B</u>	<u>Nominal Voltage</u>
BK S1	DUNWOODIE S1	138	DUNWOODIE S2	138
361	E.GARDEN CTY	138	CARLE PLACE	138
462	E.GARDEN CTY	138	NEWBRIDGE RD	138
463	E.GARDEN CTY	138	NEWBRIDGE RD	138
465	E.GARDEN CTY	138	NEWBRIDGE RD	138
362	E.GARDEN CTY	138	ROSLYN	138
461	FREEMPORT	138	NEWBRIDGE RD	138
PSR 1	FRESHKILLS AK	138	FRESHKILLS R	138
PSR 2	FRESHKILLS AK	138	FRESHKILLS R	138
366-1	GLENWOOD GT	138	GLENWOOD N	138
364	GLENWOOD GT	138	ROSLYN	138
363	GLENWOOD S	138	CARLE PLACE	138
674	GREENLAWN	138	ELWOOD E	138
889	HAUPPAUG	138	CENTRAL ISLIP	138
887	HOLBROOK	138	BROOKHAVEN	138
888	HOLBROOK	138	HOLTSVILLE	138
874	HOLTSVILLE	138	BROOKHAVEN	138
818	HOLTSVILLE	138	UNION AVE	138
903	JAMAICA	138	LK SUCCESS W	138
901 L&M	JAMAICA	138	VALLEY STR 1	138
PAR	LK SUCCESS E	138	LK SUCCESS W	138
563	NEWBRIDGE RD	138	PILGRIM 1	138
561	NEWBRIDGE RD	138	RULAND	138
562	NEWBRIDGE RD	138	RULAND	138
672	NORTHPORT E	138	PILGRIM 1	138
677	NORTHPORT E	138	PILGRIM 1	138
679	NORTHPORT E	138	PILGRIM 2	138
PAR 1	NORTHPORT NE	138	NORTHPORT E	138
681	NORTHPORT W	138	ELWOOD E	138
678	NORTHPORT W	138	ELWOOD W	138
PS2	NORTHPORT W	138	NORTHPORT E	138
1385	NORWALK HARB	138	NORTHPORT NE	138
673	OAKWOOD	138	ELWOOD W	138
675	OAKWOOD	138	SYOSSET	138
871	PILGRIM 1	138	HAUPPAUG	138
881	PILGRIM 2	138	HOLTSVILLE	138
PAR	PILGRIM 2	138	PILGRIM 1	138
883	PILGRIM 2	138	RONKONKOMA	138
862	PORT JEFF	138	HOLBROOK	138
886	PORT JEFF	138	HOLBROOK	138
36312	RAINEY 1	138	VERNON	138
36311	RAINEY 2	138	VERNON	138
875	RONKONKOMA	138	HOLBROOK	138
882	RULAND	138	HOLBROOK	138

The New York State Bulk Power Transmission Facilities

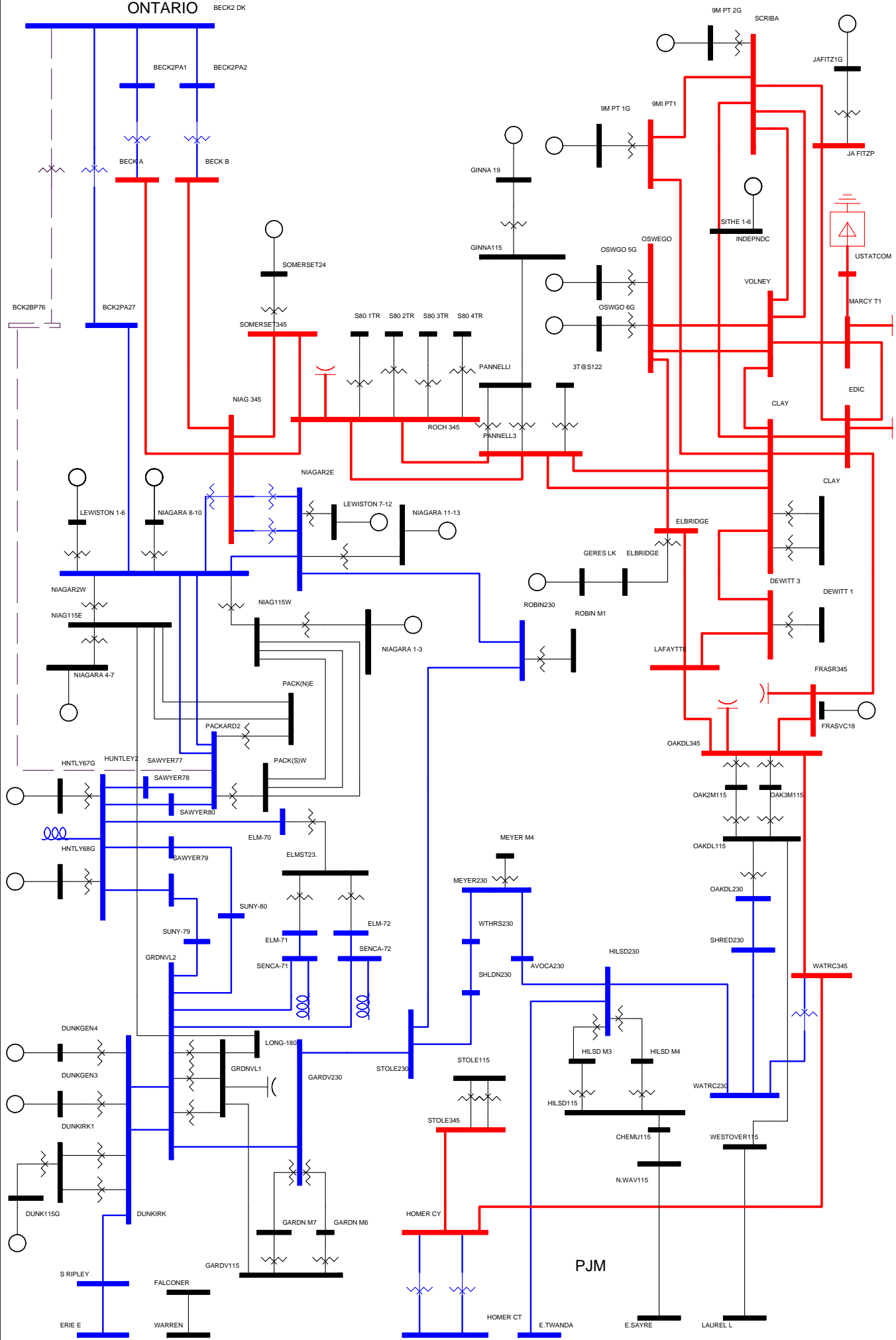
<u>Facility Identifier</u>	<u>Terminal A</u>	<u>Nominal Voltage</u>	<u>Terminal B</u>	<u>Nominal Voltage</u>
661	RULAND	138	PILGRIM 1	138
662	RULAND	138	PILGRIM 2	138
366-2	SHORE RD	138	GLENWOOD N	138
365	SHORE RD	138	GLENWOOD S	138
367	SHORE RD	138	LK SUCCESS E	138
368	SHORE RD	138	LK SUCCESS E	138
861	SHOREHAM	138	BROOKHAVEN	138
885	SHOREHAM	138	HOLBROOK	138
863	SHOREHAM	138	WILDWOOD	138
676	SYOSSET	138	GREENLAWN	138
558	SYOSSET	138	LOCUST GROVE	138
559	SYOSSET	138	LOCUST GROVE	138
BK 11	TREMONT 11E	138	TREMONT 11W	138
BK 12	TREMONT 12E	138	TREMONT 12W	138
291	VALLEY STR 1	138	BARRETT 1	138
PAR	VALLEY STR 1	138	VALLEY STR 2	138
292	VALLEY STR 2	138	BARRETT 2	138
262	VALLEY STR 2	138	E.GARDEN CTY	138
884	WADING RIV	138	HOLBROOK	138
891	WADING RIV	138	SHOREHAM	138
890	WILDWOOD	138	RIVERHEAD	138
908	GINNA	115	PANNELL RD	115
912	GINNA	115	PANNELL RD	115
7X8272	MORTIMER	115	STA 82	115
PAR3	PLATTSBURGH	115	PLATTSBURGH	115
PV20	PLATTSBURGH	115	S.HERO, VT	115

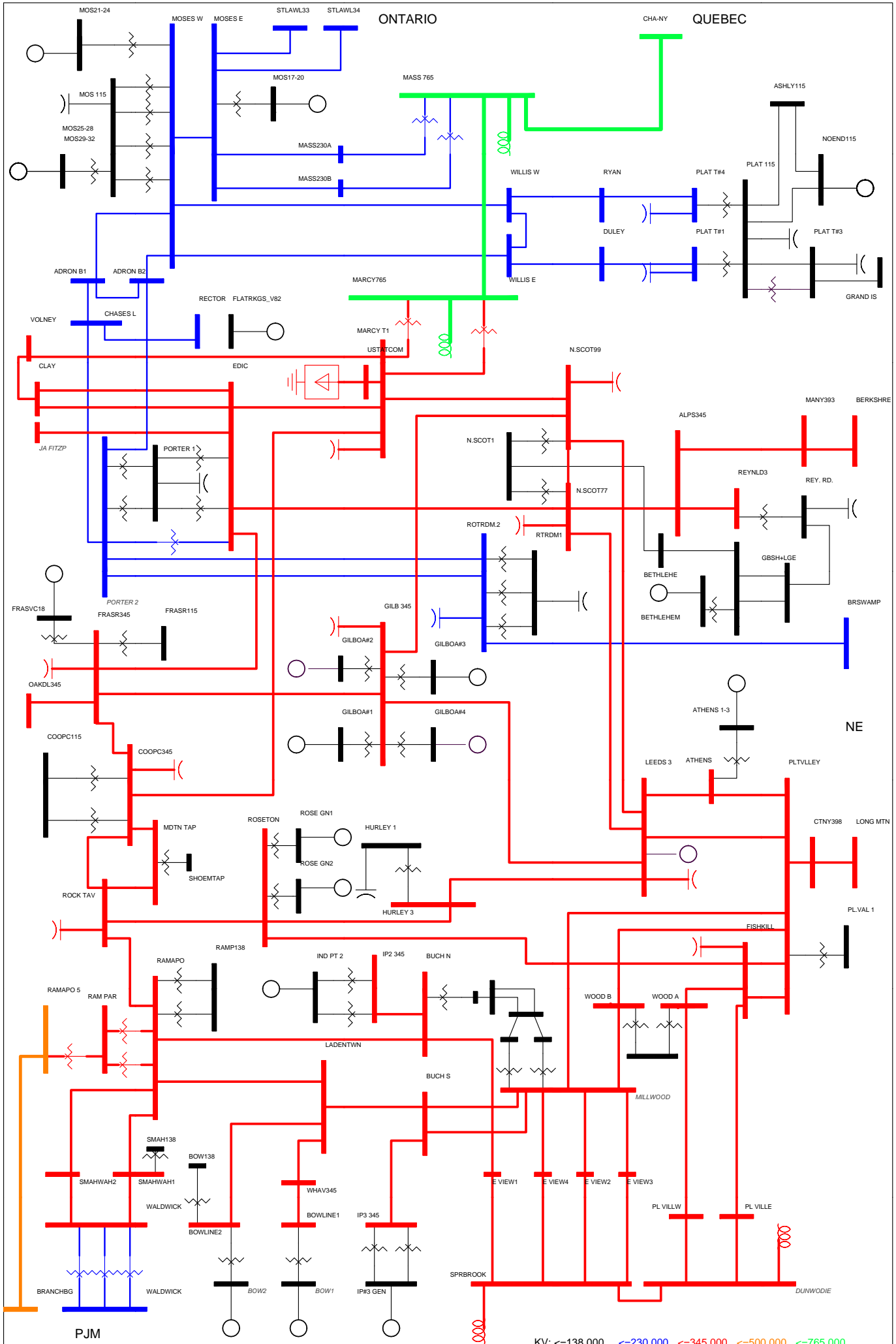
The New York State Bulk Power Generation Facilities

<u>Facility Identifier</u>	<u>Generator Name</u>
AK 2	ARTHUR KILL
AK 3	ARTHUR KILL
3	ASTORIA 3
4	ASTORIA 4
5	ASTORIA 5
1	BOWLINE 1
2	BOWLINE 2
1	FITZPATRICK
1	GILBOA 1
2	GILBOA 2
3	GILBOA 3
4	GILBOA 4
1	GINNA
IP 2	INDIAN PT 2
IP 3	INDIAN PT 3
1	KINTIGH
1	NINE MILE 1
2	NINE MILE 2
1	NORTHPORT 1
2	NORTHPORT 2
3	NORTHPORT 3
4	NORTHPORT 4
6	OSWEGO B
1	POLETTI
8A LP-HP 1	RAVENSWOOD 1
8A LP-HP 2	RAVENSWOOD 2
8B LP-HP 3	RAVENSWOOD 3
1	ROSETON 1
2	ROSETON 2

ONTARIO

BECK2 DK





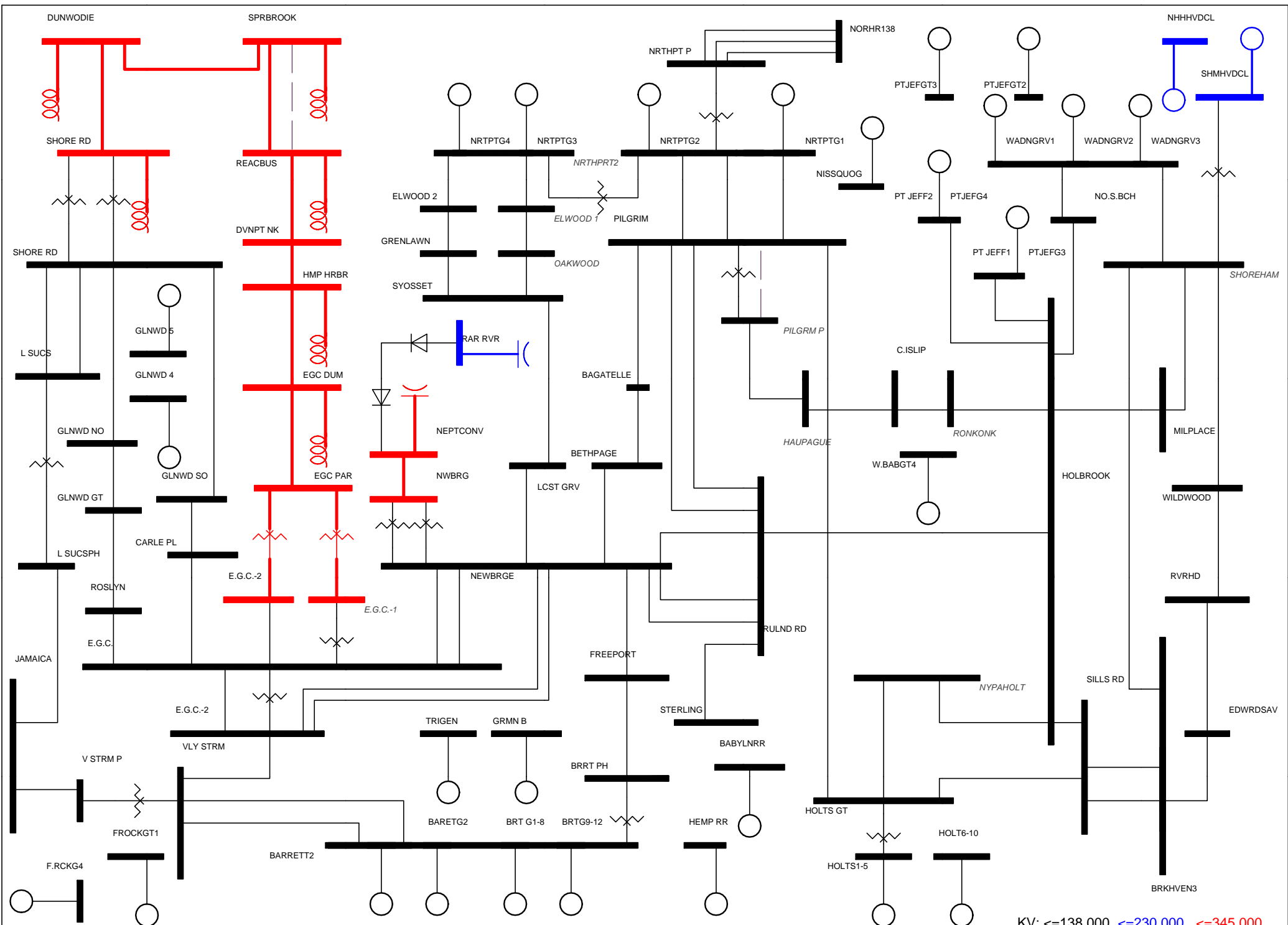
ONTARIO

QUEBEC

NE

PJM

KV: <=138.000 <=230.000 <=345.000 <=500.000 <=765.000



KV: <=138.000 <=230.000 <=345.000