

2023 - 2024 IRM Proposed MARS Topology Additional Changes

Ying Guo

NYISO

ICS Meeting # 262

June 29, 2022

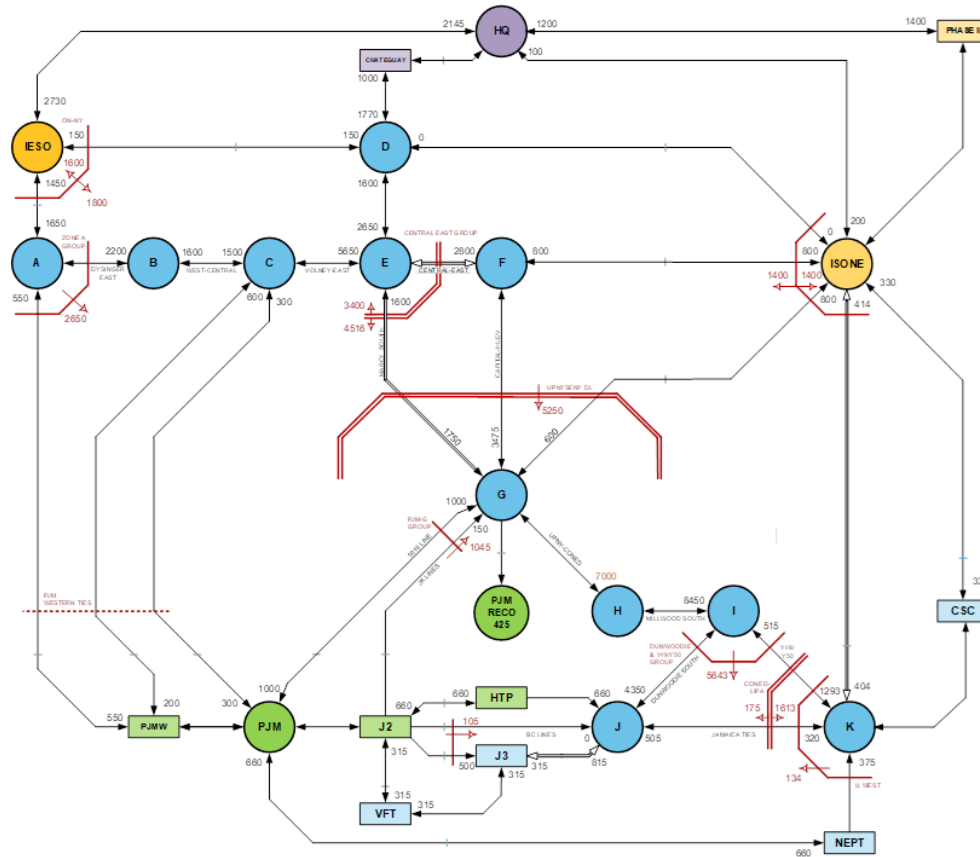
Zone K Export Limits and Ontario Import Limit

- Based on information from PSEG LI, Zone K Export Transfer Limits are updated due to the anticipated retirement of Trigen and the derate on 138-291

Forward Limits (MW)	Y49/Y50	CONED-LIPA	LI-WEST
2022-2023 IRM	515	220	134
Proposed Change for 2023-2024 IRM	420	135	49
<i>Delta</i>	-95	-85	-85

- Limits from Ontario are updated based on confirmation from IESO

2022-2023 IRM Topology For New York Control Area



- Notes**
1. PJM to NY emergency assistance (EA) assumption for calculating the PJM-NY Western Area, PJM-G Group, and ABC Line Group flow distribution limit: 1500 MW
 2. NYCA EA simultaneous import limit: 3,500 MW
 3. External areas representation based upon information received from the NPCC CP-8 WG

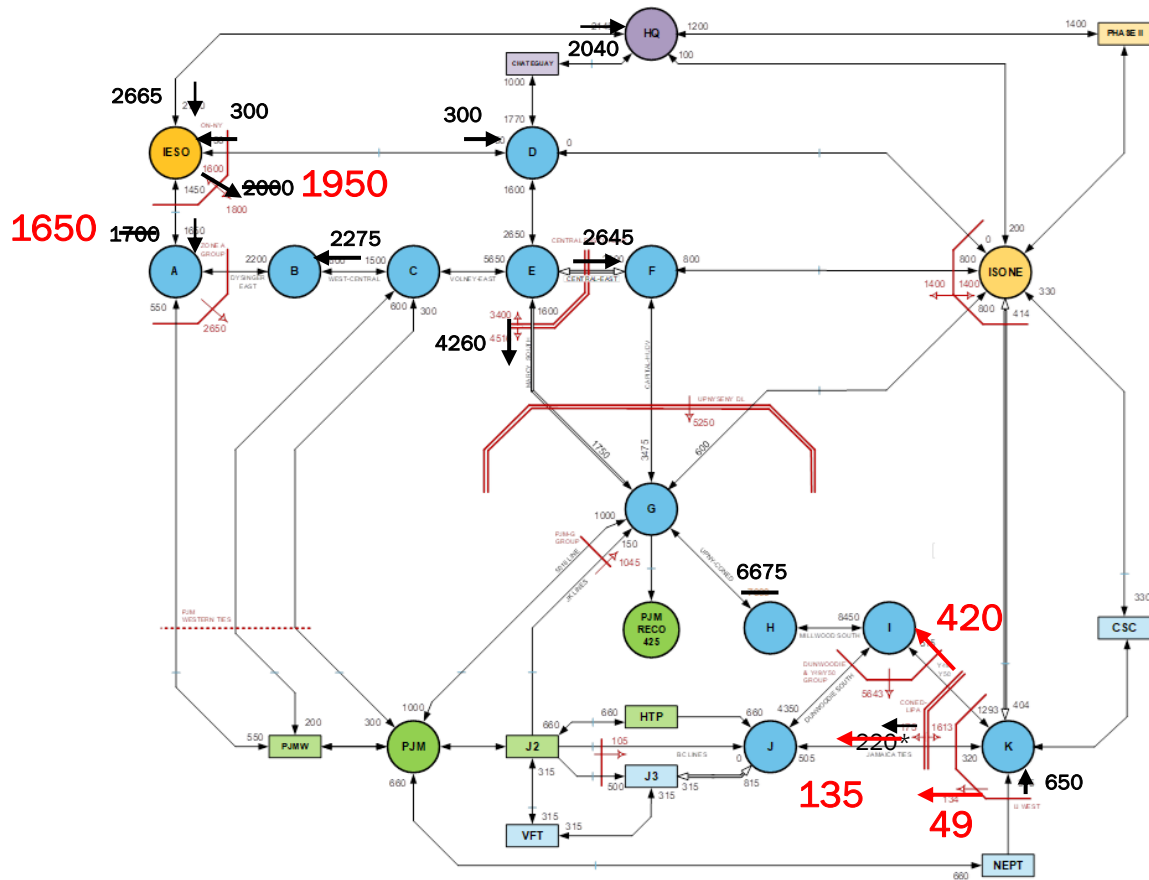
Legend

- Interface
- Unidirectional Interface
- Interface w/ Dynamic Ratings
- Interface Group
- Interface Group w/ Dynamic Ratings
- Monitoring Interface Group
- NYCA EA Interface Group Marker
- “Dummy Bubble” i.e. no load

NOTE: An interface is considered to not have a MW limitation if no number is specified



Proposed internal topology changes



* Error identified in the diagram. Update to reflect correct limit in the model

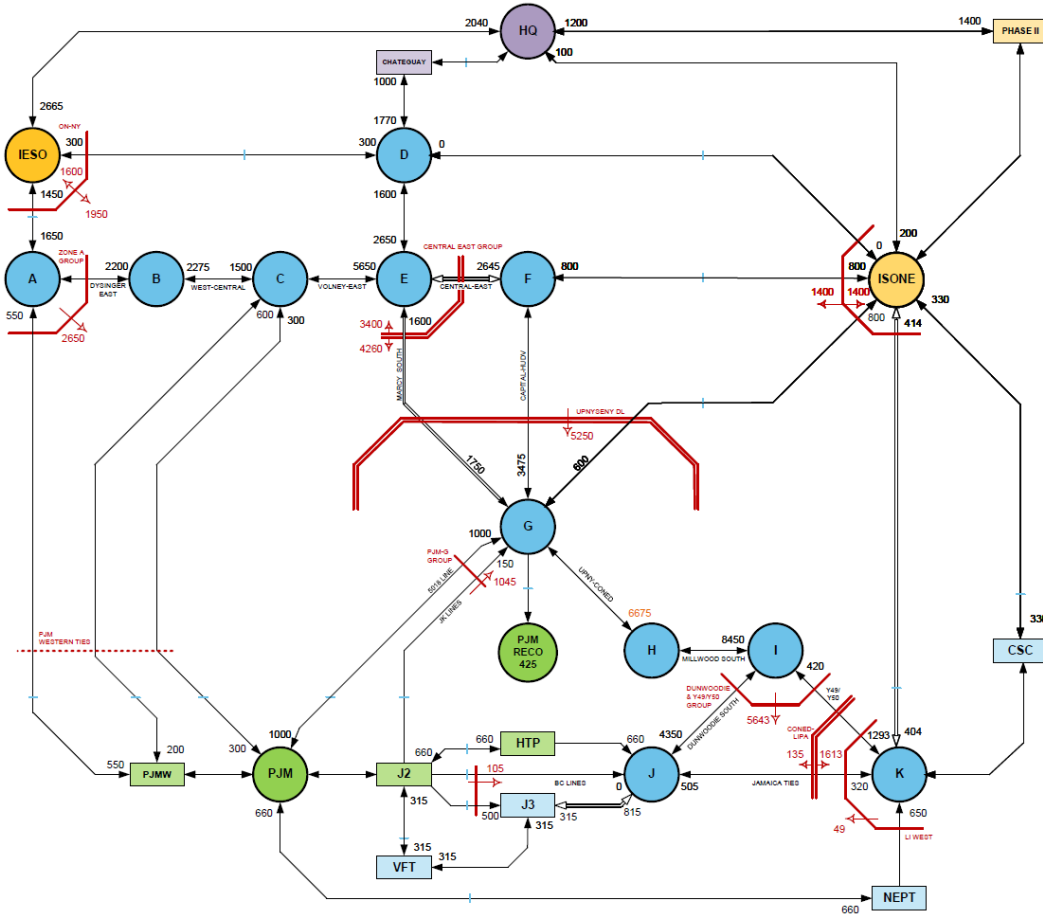
Notes

1. PJM to NY emergency assistance (EA) assumption for calculating the PJM-NY Western ties, PJM-G Group, and ABC Line Group flow distribution limit: 1500MW
2. NYCA EA simultaneous import limit: 3,500 MW
3. External areas representation based upon information received from the NPCC CP-8 WG

Legend

- ↔ Interface
 - Undirectional Interface
 - ↔ Interface w/ Dynamic Ratings
 - Interface Group
 - Interface Group w/ Dynamic Ratings
 - Monitoring Interface Group
 - NYCA EA Interface Group Marker
 - XX "Dummy Bubble" i.e. no load
- NOTE: An interface is considered to not have a MW limitation if no number is specified

Proposed 2023-2024 IRM Topology For New York Control Area



Notes

1. PJM to NY emergency assistance (EA) assumption for calculating the PJM-NY Western ties, PJM-G Group, and ABC Line Group flow distribution limit: 1500MW
2. NYCA EA simultaneous import limit: 3,500 MW
3. External areas representation based upon information received from the NPCC CP-8 WG

Legend

- Interface
 - Unidirectional Interface
 - Interface w/ Dynamic Ratings
 - Interface Group w/ Dynamic Ratings
 - Interface Group w/ Dynamic Ratings Monitoring Interface Group
 - NYCA EA Interface Group Marker
 - XX "Dummy Bubble" i.e. no load
- NOTE: An interface is considered to not have a MW limitation if no number is specified

Questions?

Our Mission & Vision



Mission

Ensure power system reliability and competitive markets for New York in a clean energy future



Vision

Working together with stakeholders to build the cleanest, most reliable electric system in the nation