



# 2024 – 2025 IRM Proposed MARS Topology Update

---

Yvonne Huang

NYISO

**ICS Meeting # 277**

May 30, 2023

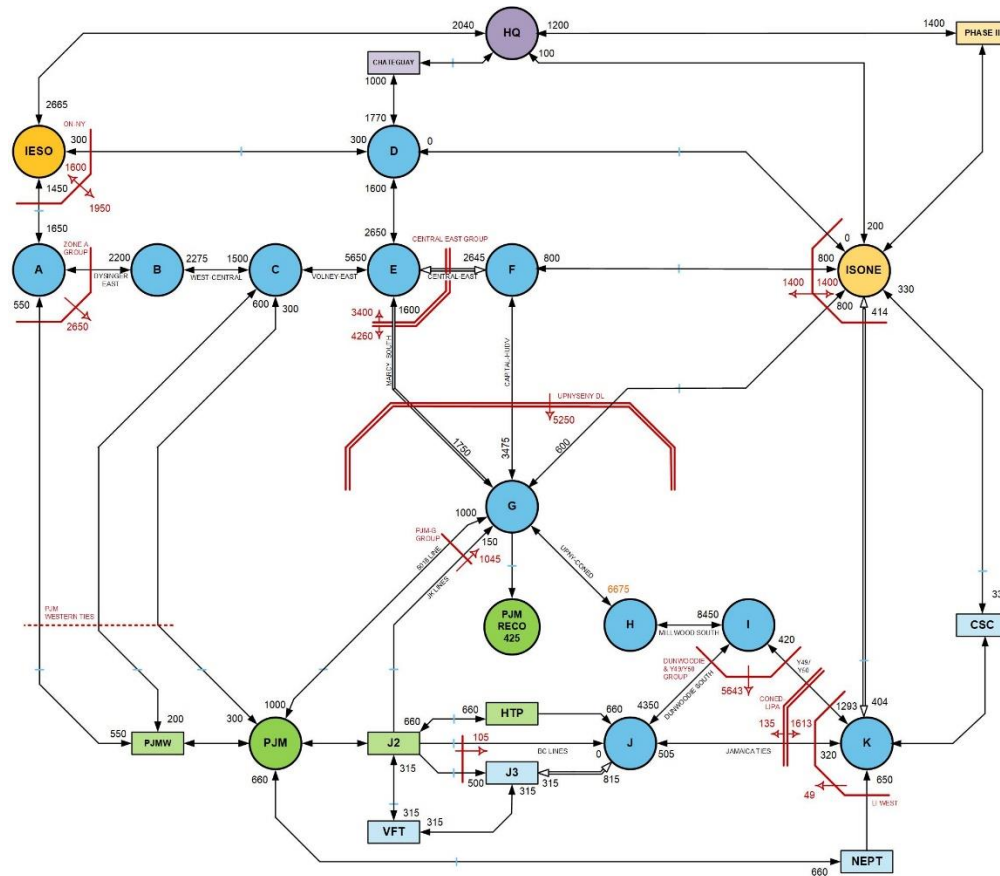
# Updated Topology Limits

- A number of internal topology limits have minor changes based on the Y2024 topology from the latest Short-Term Assessments of Reliability ([2023 Q1 STAR](#))
  - These updated interface limits were approved during the 2022 RNA study

Internal Interface	2023-2024 IRM Assumptions (MW)	Proposed 2024-2025 IRM Assumptions (MW)	Delta (MW)
Dysinger East (Zone A to Zone B)	2200	2100	-100
Zone A Group (Export from Zone A)	2650	2500	-150
Dunwoodie & Y49Y50 Group (Zone I to Zone J and K)	5643	5693	+50

- There is minimum change in external topology limits based on the updated NPCC database
  - Boston import limit is revised from 5700 MW to 5250 MW

# 2023 – 2024 IRM Topology for New York Control Area



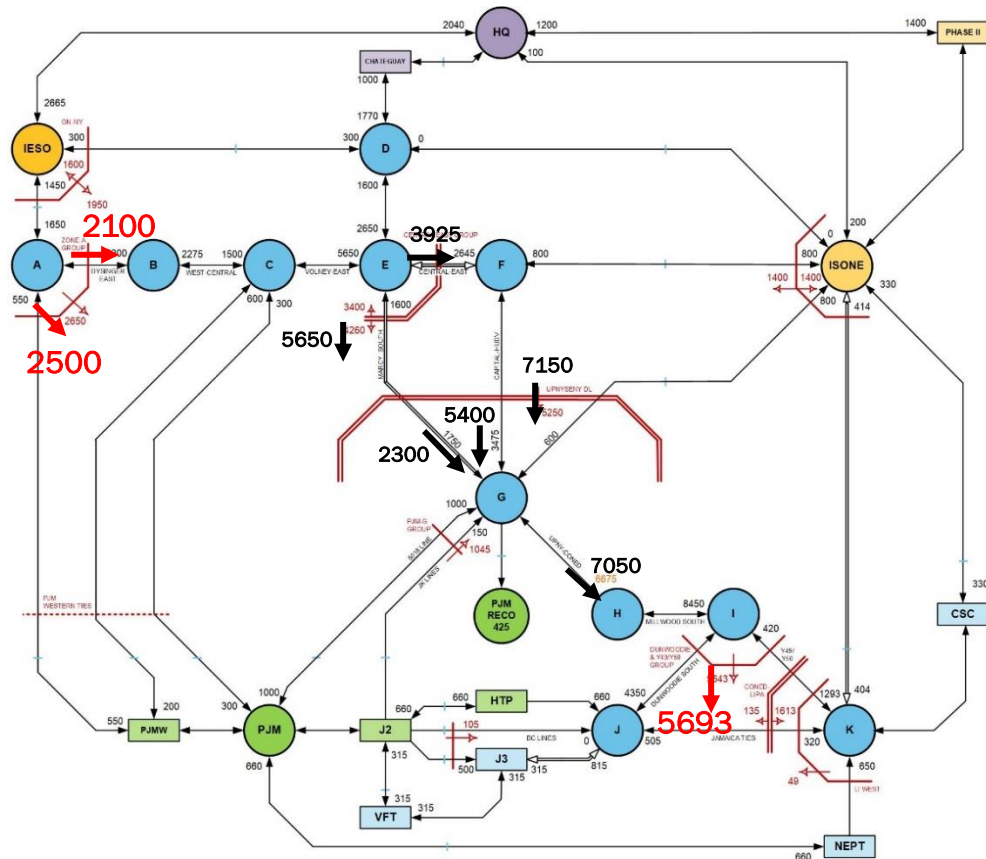
- Notes**
1. PJM to NY emergency assistance (EA) assumption for calculating the PJM-NY Western ties, PJM-G Group, and ABC Line Group flow distribution limit: 1500MW
  2. NYCA EA simultaneous import limit: 3,500 MW
  3. External areas representation based upon information received from the NPCC CP-3 WG

**Legend**

- Interface
- Unidirectional Interface
- Interface w/ Dynamic Ratings
- Interface Group
- Interface Group w/ Dynamic Ratings
- Monitoring Interface Group
- NYCA EA Interface Group Marker
- xx "Dummy Bubble" i.e. no load

NOTE: An interface is considered to not have a MW limitation if no number is specified

# Updated Transfer Limits for 2024-2025 IRM Study



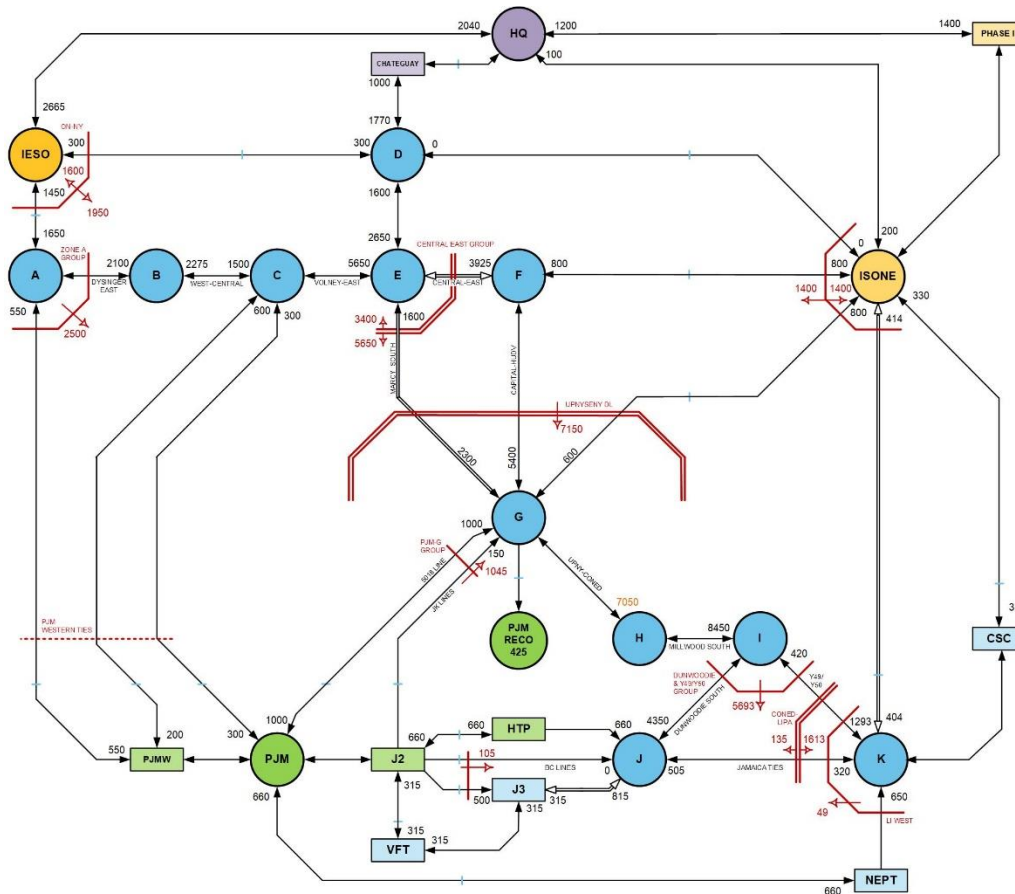
## Notes

1. PJM to NY emergency assistance (EA) assumption for calculating the PJM-NY Western ties, PJM-G Group, and ABC Line Group flow distribution limit: 1500MW
2. NYCA EA simultaneous import limit: 3,500 MW
3. External areas representation based upon information received from the NPCC CP-8 WG

## Legend

- Interface
  - Unidirectional Interface
  - Interface w/ Dynamic Ratings
  - Interface Group
  - Interface Group w/ Dynamic Ratings
  - Monitoring Interface Group
  - NYCA EA Interface Group Marker
  - xx "Dummy Bubble" i.e. no load
- NOTE: An interface is considered to not have a MW limitation if no number is specified

# Proposed 2024 – 2025 IRM Topology for New York Control Area



- Notes**
1. PJM to NY emergency assistance (EA) assumption for calculating the PJM-NY Western ties, PJM-G Group, and ABC Line Group flow distribution limit: 1500MW
  2. NYCA EA simultaneous import limit: 3,500 MW
  3. External areas representation based upon information received from the NIPC CP-8 WG

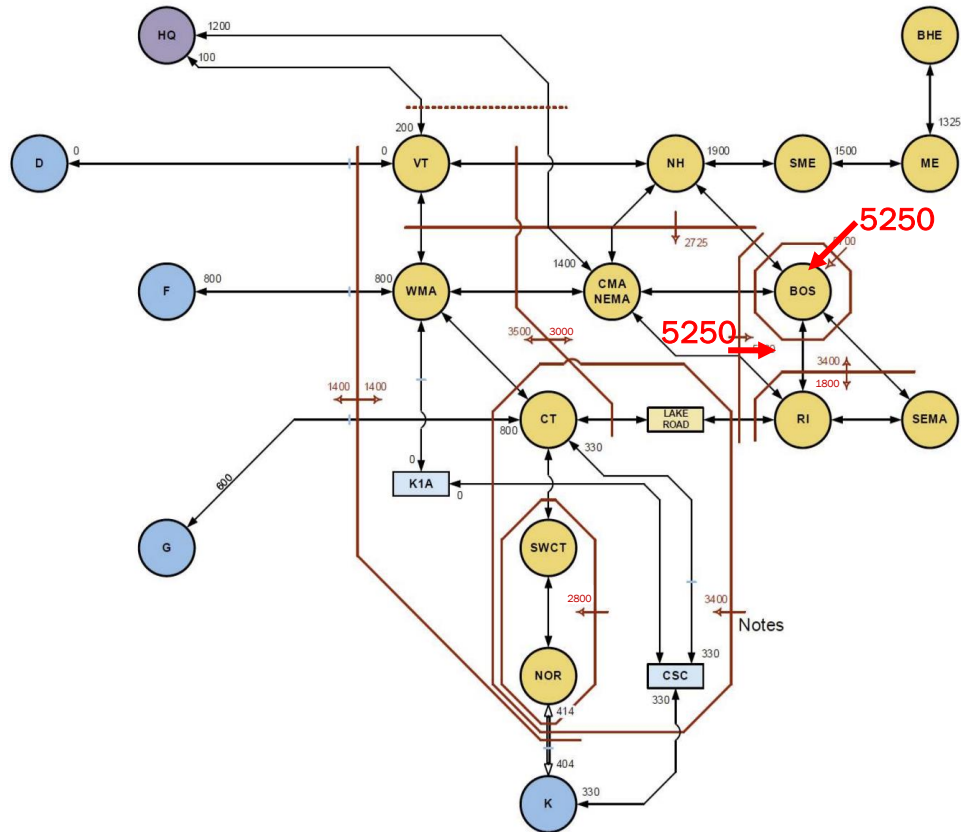
**Legend**

- Interface
- Unidirectional Interface
- Interface w/ Dynamic Ratings
- Interface Group
- Interface Group w/ Dynamic Ratings
- Monitoring Interface Group
- NYCA EA Interface Group Marker
- xx "Dummy Bubble" i.e. no load

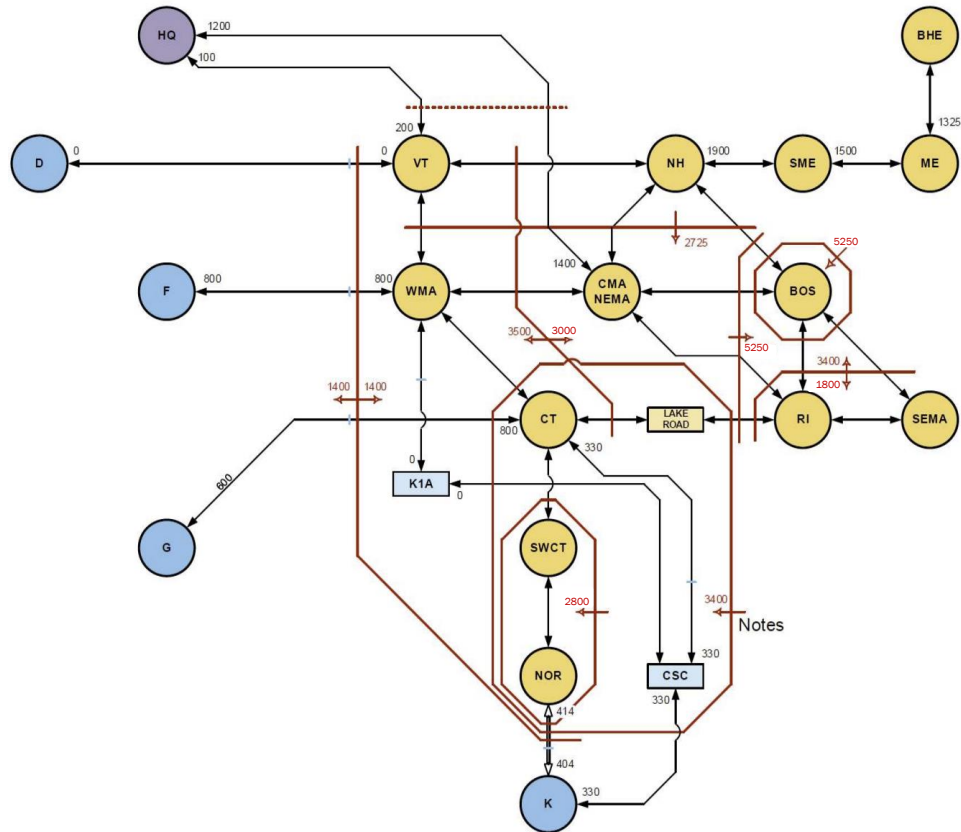
NOTE: An interface is considered to not have a MW limitation if no number is specified



# Changes to the ISONE Topology Limits



# Updated ISONE Topology Limits



# Next Steps

- **The NYISO is expecting confirmation on updated transfer limits from PSEG LI by the end of June**
  - Updates, if any, from PSEG LI will be captured and presented at the next ICS meeting



# Our Mission & Vision



## Mission

Ensure power system reliability and competitive markets for New York in a clean energy future



## Vision

Working together with stakeholders to build the cleanest, most reliable electric system in the nation

# Questions?